

NGQ

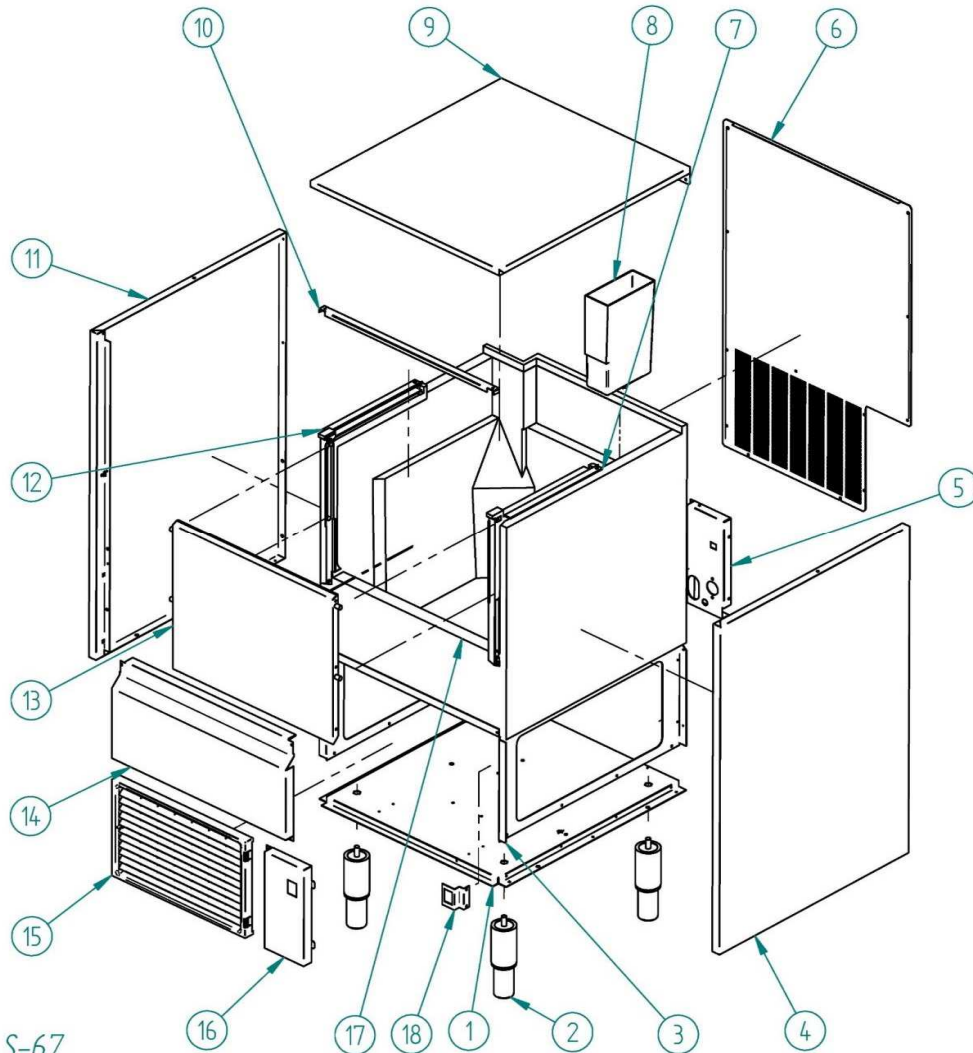
ITV
ICE makers



DESPIECE / REPUESTOS
EXPLODED VIEW / SPARE PARTS
EXPLOSIONSZEICHNUNG / ERSATZTEILE
VUE ÉCLATÉE / PIÈCES DÉTACHÉES
ESPLOSO / RICAMBI

ITV | ICE makers **SERVICE** 

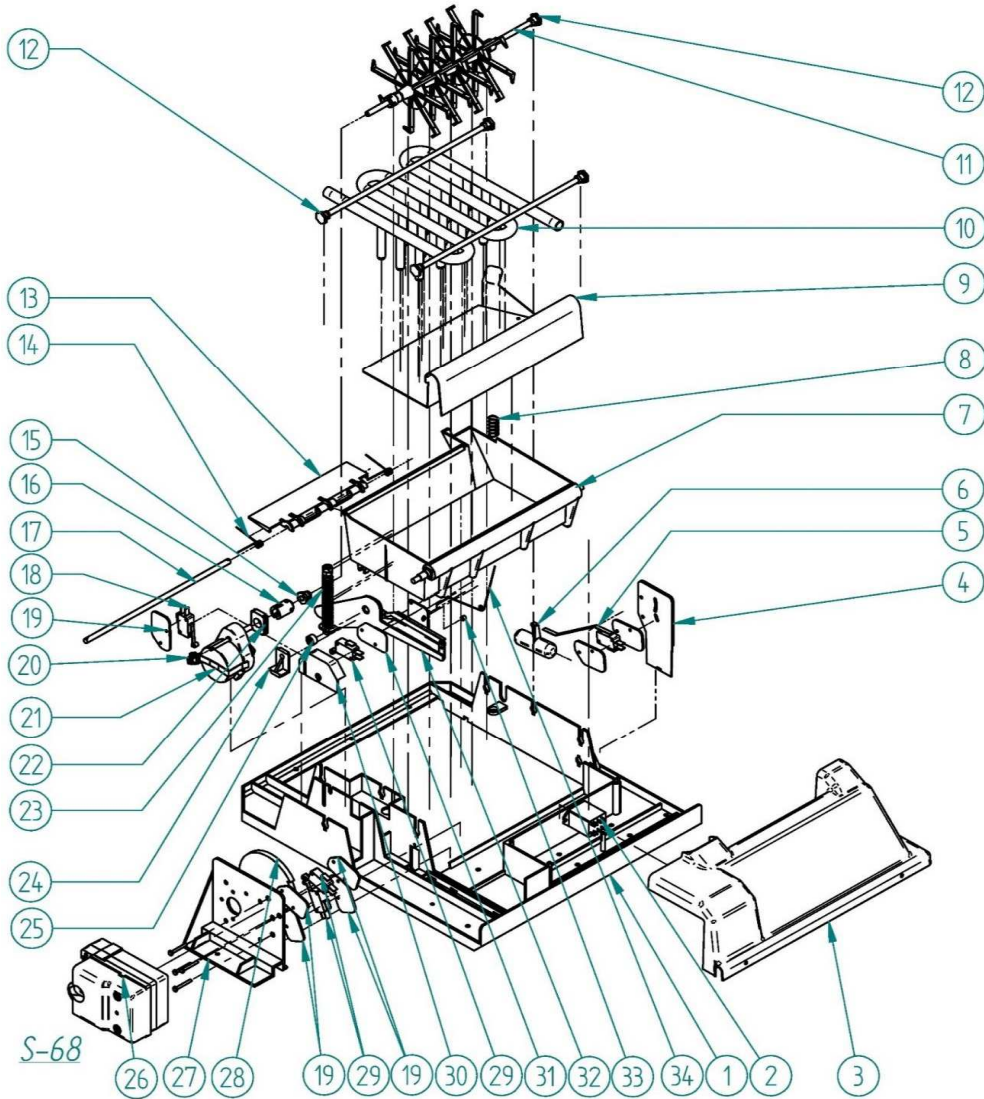
CABINET



| | NAME | | | | | | |
|----|--------------------|------|------|-------|------|------|------|
| | 20 | 30 | 40 | MODEL | | | 130 |
| | | | | 50 | 60 | 90 | |
| 1 | BASEMENT | | 8179 | 8510 | 8515 | 8551 | 8572 |
| 2 | LEG | | 4307 | 1478 | | | |
| 3 | BRIDGE ANGLE | | 8054 | 8501 | 8516 | 8552 | 8573 |
| 4 | RIGHT PANEL | 8057 | 8059 | 8487 | 8517 | 8553 | |
| 5 | CONNECTION COLUMN | | 8055 | - | - | 8563 | |
| 6 | REAR COVER | | 8063 | 8064 | 8490 | 8520 | 8556 |
| 7 | RIGHT DOOR GUIDE | | 1700 | 1706 | 1706 | 1706 | 1706 |
| 8 | WATER COLLECTOR | | 593 | | | | |
| 9 | TOP COVER | | 8056 | 8491 | 8521 | 8559 | 8560 |
| 10 | UPPER BRACKET | | 8217 | 8495 | 8523 | 8525 | |
| 11 | LEFT PANEL | 8058 | 8060 | 8488 | 8518 | 8554 | |
| 12 | LEFT DOOR GUIDE | | 1701 | 1707 | 1707 | 1707 | 1707 |
| 13 | DOOR | | 8204 | 8506 | 8538 | 8539 | 8540 |
| 14 | LOWER FRONT PANEL | 8061 | 8062 | 8489 | 8519 | 8555 | 8558 |
| 15 | FRONT GRID | | 7885 | 4185 | 4186 | | |
| 16 | FRONT PANEL | | - | - | - | - | - |
| 17 | ISOLATED STOCK BIN | 7510 | 8413 | 7513 | 7514 | 7515 | 7516 |
| 18 | SWITCH SUPPORT | | 7764 | 8494 | | | |

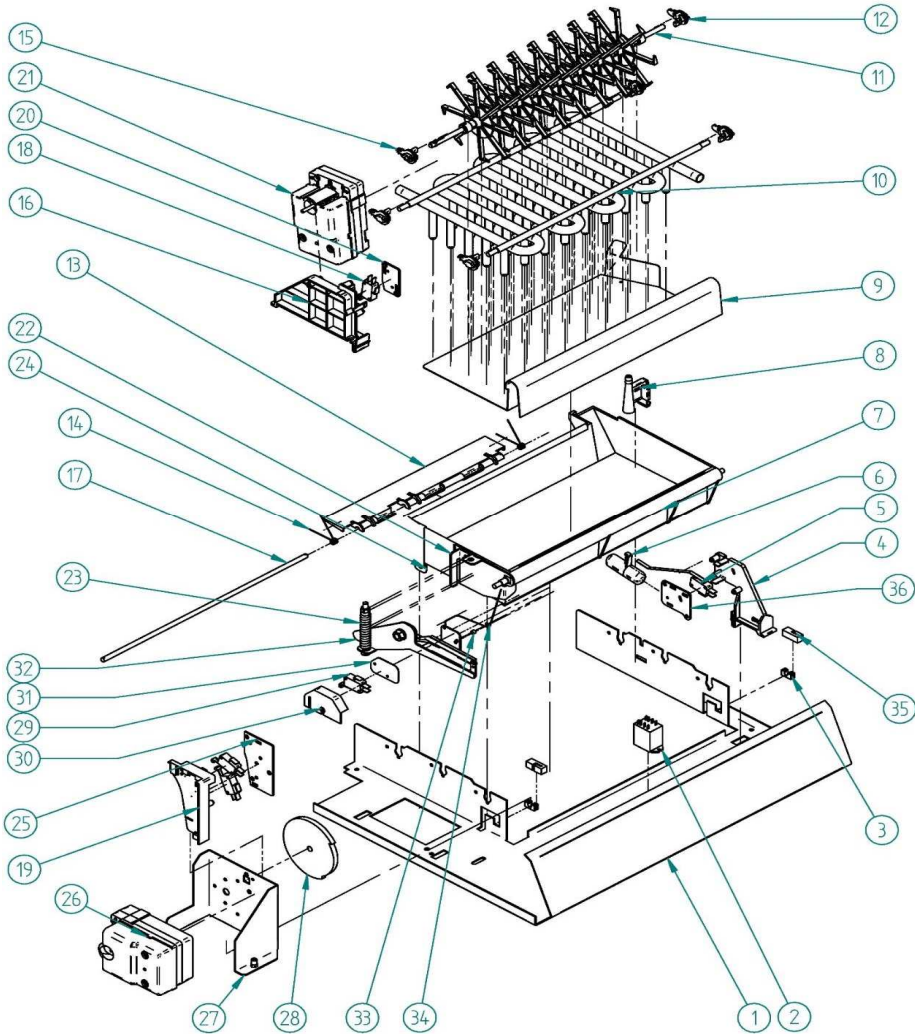
S-67

BIN & HIDRAULICS PARTS NGQ 20-40



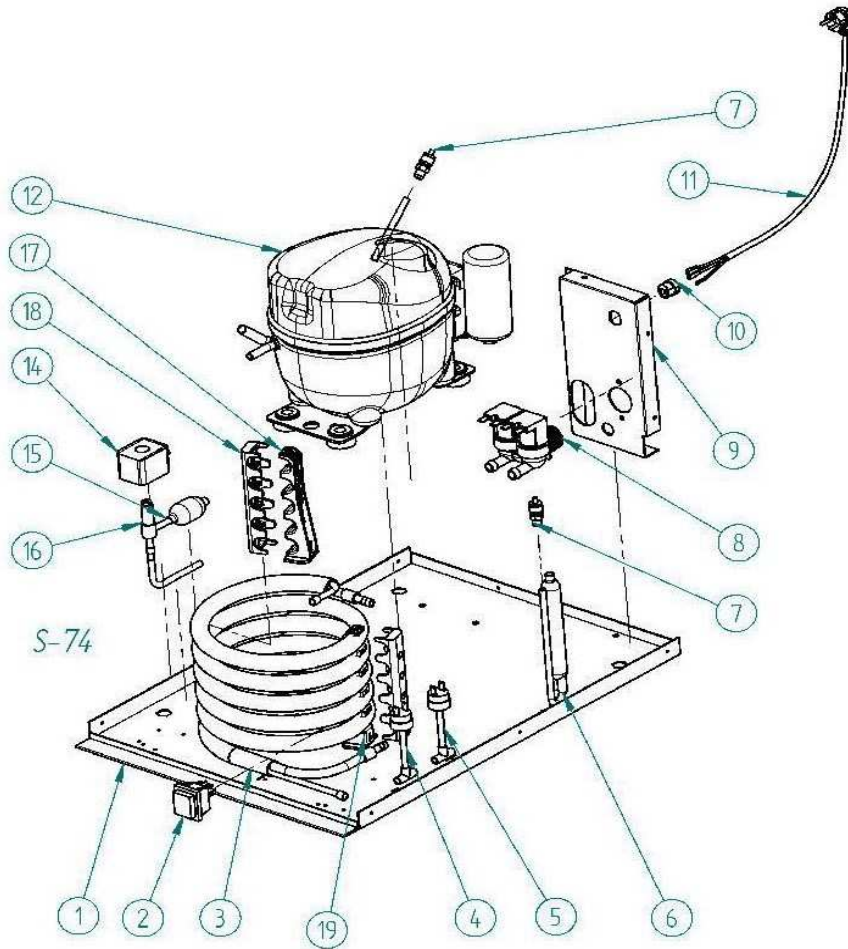
| NAME | | MODEL | | |
|------|---------------------------------|-------|-------|----|
| | | 20 | 30 | 40 |
| 1 | MANUFACTURING HEAD | | 175 | |
| 2 | RELAY | | 1483 | |
| 3 | COVER HEAD | | 1982 | |
| 4 | MICRO BUOY SUPPORT | | 595 | |
| 5 | MICRO BUOY | | 388 | |
| 6 | BUOY | | 8075 | |
| 7 | WATER TRAY | 5360 | 5361 | |
| 8 | WATER INPUT SPRING | | 355 | |
| 9 | EJECTOR ICE | 5537 | 5532 | |
| 10 | EVAPORATOR | 7984 | 7989 | |
| 11 | AGITATOR | | 8074 | |
| 12 | EVAPORATOR SUPPORT | | 564 | |
| 13 | FLANGED LIMIT | | 31435 | |
| 14 | SPRING POSITIONING FLANGED | | 817 | |
| 15 | AGITATOR AND WATER TRAY BEARING | | 556 | |
| 16 | JOINT BUSHING | | 46 | |
| 17 | FLANGED AXE | | 12 | |
| 18 | MICRO | | 8079 | |
| 19 | MICRO PROTECTION | | 5212 | |
| 20 | REAR BEARING | | 554 | |
| 21 | PADDLE MOTOR | | 5364 | |
| 22 | FRONT BEARING | | 559 | |
| 23 | SECURITY SPRING | | 217 | |
| 24 | AXE TRAY SUPPORT | | 558 | |
| 25 | WATER TRAY AXE SUPPLEMENT | | 674 | |
| 26 | | | | |
| 27 | | | | |
| 28 | COMPLETE TILTER MOTOR | | 8071K | |
| 29 | | | | |
| 30 | LEFT MICRO BOX | | 372 | |
| 31 | MICRO PROTECTION | | 5211 | |
| 32 | CONNECTING ROD WATER TRAY | | 68 | |
| 33 | STOP MECHANISM BUSHING | | 52 | |
| 34 | STOP MACHINE SPRING | | 31508 | |

BIN & HIDRAULICS PARTS NGQ 50-130



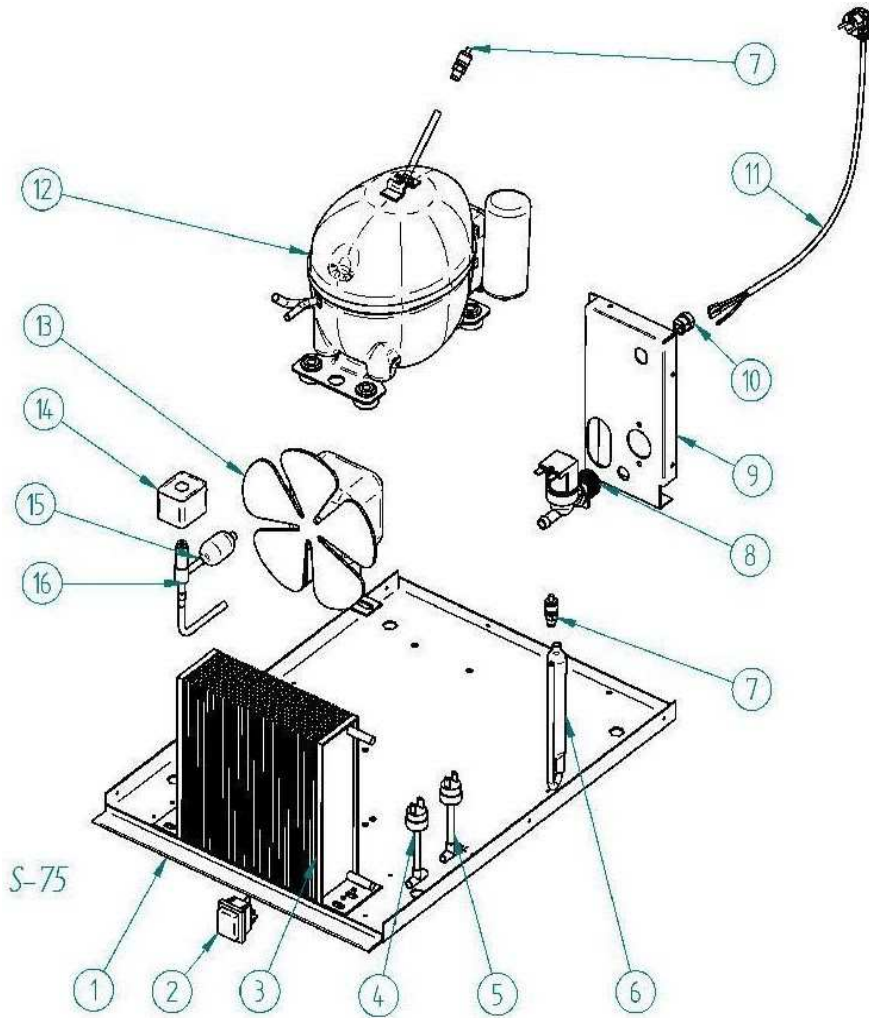
| | NAME | MODEL | | | |
|----|-------------------------------|-------|------|-------|------|
| | | 50 | 60 | 90 | 130 |
| 1 | MANUFACTURING HEAD | 8496 | 8526 | 8527 | 8528 |
| 2 | RELAY | | | 1483 | |
| 3 | OPEN BEARING | | | 168 | |
| 4 | MICRO BUOY SUPPORT | | | 6844 | |
| 5 | MICRO BUOY | | | 388 | |
| 6 | BUOY | | | 8075 | |
| 7 | WATER TRAY | 5203 | 5204 | 5205 | 5273 |
| 8 | WATER INPUT | | | 6843 | |
| 9 | EJECTOR ICE | 8727 | 5539 | 5540 | 5530 |
| 10 | EVAPORATOR | 7998 | 8022 | 8027 | 8032 |
| 11 | AGITATOR | 8503 | 8541 | 8545 | 8546 |
| 12 | BLIND EVAPORATOR SUPPORT | | | 6481 | |
| 13 | FLANGED LIMIT | 810 | 811 | 812 | 812 |
| 14 | SPRING POSITIONING BUOY | | | 817 | |
| 15 | AGITATOR & AXE SUPPORT | | | 6842 | |
| 16 | AGITATOR MOTOR SUPPORT | | | 6848 | |
| 17 | FLANGED AXE | 813 | 814 | 815 | 815 |
| 18 | MICRO | | | 8079 | |
| 19 | MICRO & TURNING MOTOR SUPPORT | | | 6846 | |
| 20 | AGITATOR MOTOR SUPPORT | | | 6849 | |
| 21 | GEAR MOTOR | | | 6837 | |
| 22 | SPRING SUPPORT | | | 56 | |
| 23 | SECURITY SPRING TRAY | | | 68 | |
| 24 | AXE FLANGED SUPPORT | | | 816 | |
| 25 | MICRO & TURNING MOTOR SUPPORT | | | 6847 | |
| 26 | GEAR REDUCER | | | 8507 | |
| 27 | TURNING MOTOR SUPPORT | 8497 | 8497 | 8497 | 8497 |
| 28 | ACTIVATOR WHEEL | | | 5010 | |
| 29 | MICRO | | | 387 | |
| 30 | LEFT MICRO BOX | | | 372 | |
| 31 | MICRO PROTECTION | | | 5211 | |
| 32 | CONNECTING ROD WATER TRAY | | | 68 | |
| 33 | STOP MECHANISM BUSHING | | | 52 | |
| 34 | STOP MACHINE SPRING | | | 201 | |
| 35 | FIXING CLAMP | | | 178 | |
| 36 | MICRO BUOY SUPPORT | | | 6845 | |
| 35 | FLOAT WITH MICRO | | | 30201 | |

WATER CONDENSER



| | NAME | | | | | | | |
|----|-----------------------------|----|------|------|------|------|------|------|
| | 20 | 30 | 40 | 50 | 60 | 90 | 130 | |
| 1 | BASE PLATE | | 8179 | 8510 | 8515 | 8551 | 8572 | |
| 2 | SWITCH | | 2287 | | | | | |
| 3 | WATER CONDENSER | | 8483 | 5243 | 5017 | 5018 | | |
| 4 | CONDENSATION PRESURE SWITCH | | 7476 | | | | | |
| 5 | SAFETY PRESSURE SWITCH | | 334 | | | | | |
| 6 | DEHYDRATION FILTER | | 449 | 1717 | | | | |
| 7 | LOAD VALVE | | 335 | | | | | |
| 8 | INPUT WATER VALVE | | 404 | | | | | |
| 9 | COLUMN | | 8055 | 8493 | 8521 | 8559 | 8560 | |
| 10 | HOLE FOR CORDS | | 8411 | | | | | |
| 11 | ELECTRIC SUPPLY CABLE | | 408 | | | | | |
| 12 | COMPRESSOR | | 6838 | 6005 | 6006 | 6515 | 6516 | 6007 |
| 14 | COIL | | 6906 | 5173 | | | | |
| 15 | FILTER | | 448 | | | | | |
| 16 | HOT GAS VALVE | | 6904 | 762 | | | | |
| 17 | LOW SUPPORT | | 4037 | | | | | |
| 18 | EXTERNAL SUPPORT | | 4038 | | | | | |
| 19 | HIGH SUPPORT | | 4036 | | | | | |

AIR CONDENSER



| | NAME | | | | | | |
|----|------------------------------|----|----------|------|---------|---------|-----------|
| | 20 | 30 | 40 | 50 | 60 | 90 | 130 |
| 1 | BASE PLATE | | 8179 | 8510 | 8515 | 8551 | 8572 |
| 2 | SWITCH | | 2287 | | | | |
| 3 | AIR CONDENSER | | 2423 | 8037 | 8327 | 4157 | |
| 4 | CONDENSATION PRESSURE SWITCH | | 7476 | | | | |
| 5 | SAFETY PRESSURE SWITCH | | 334 | | | | |
| 6 | DEHYDRATION FILTER | | 449 | 1717 | | | |
| 7 | LOAD VALVE | | 335 | | | | |
| 8 | INPUT WATER VALVE | | 404 | | | | |
| 9 | COLUMN | | 8055 | 8493 | 8521 | 8559 | 8560 |
| 10 | HOLE FOR CORDS | | 8411 | | | | |
| 11 | ELECTRIC SUPPLY CABLE | | 408 | | | | |
| 12 | COMPRESSOR | | 6838 | 6005 | 6006 | 6515 | 6516 6007 |
| 13 | MOTOR+FAN | | 2170+587 | | 28+4887 | 28+4231 | 4994+410 |
| 14 | COIL | | 6904 | | 762 | | |
| 15 | FILTER | | 448 | | | | |
| 16 | HOT GAS VALVE | | 4037 | | | | |