

AMDH

**SPARE PARTS CATALOGUE
ERSATZTEILKATALOG
CATALOGUE PIECES DETACHEES
CATALOGO PARTI RICAMBIO
CATALOGO DE PIEZAS DE RECAMBIO
CATALOGO PECÇAS DE REPOSICAO**

AP 4

13-05-2013

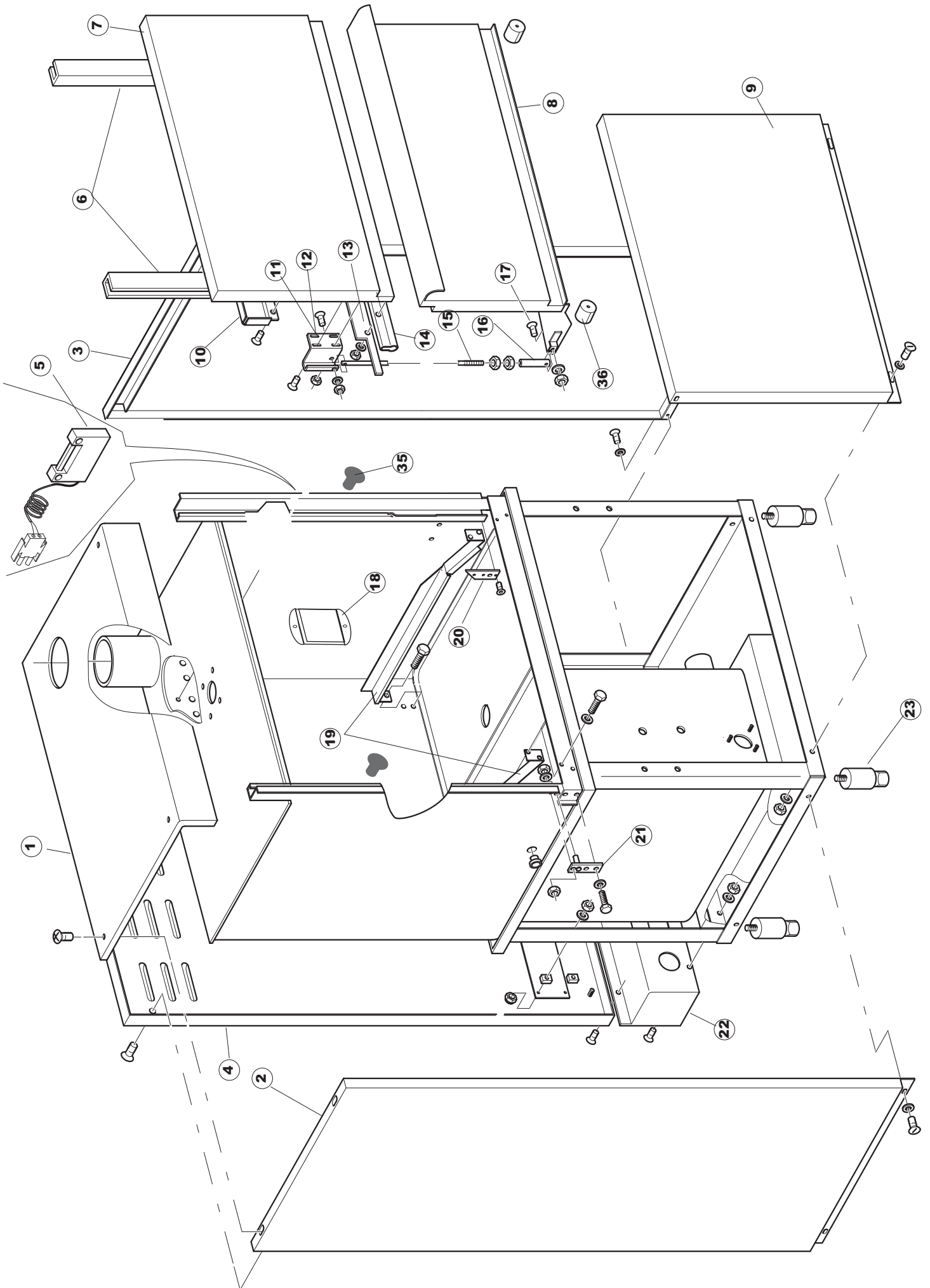
Tav.1: Carrozzeria
Tav.2: Impianto elettrico
Tav.3: Componenti in vasca
Tav.4: Circuito di lavaggio
Tav.5: Circuito di risciacquo
Tav.6: Lance di lavaggio
Tav.7: Pompa di lavaggio

Tav.1: Machine body
Tav.2: Electrical components
Tav.3: Components in the tank
Tav.4: Washing circuit
Tav.5: Rinsing circuit
Tav.6: Washing arms
Tav.7: Washing pump

Tab.1: Carrocería
Tab.2: Instalación eléctrica
Tab.3: Componentes en cuba
Tab.4: Circuito de lavado
Tab.5: Circuito d'enjuague
Tab.6: Brazos de lavado
Tab.7: Bomba de lavado

Tab.1: Carrosserie
Tab.2: Installation électrique
Tab.3: Composants de cuve
Tab.4: Circuit de lavage
Tab.5: Circuit de rinçage
Tab.6: Bras de lavage
Tab.7: Pompe de lavage

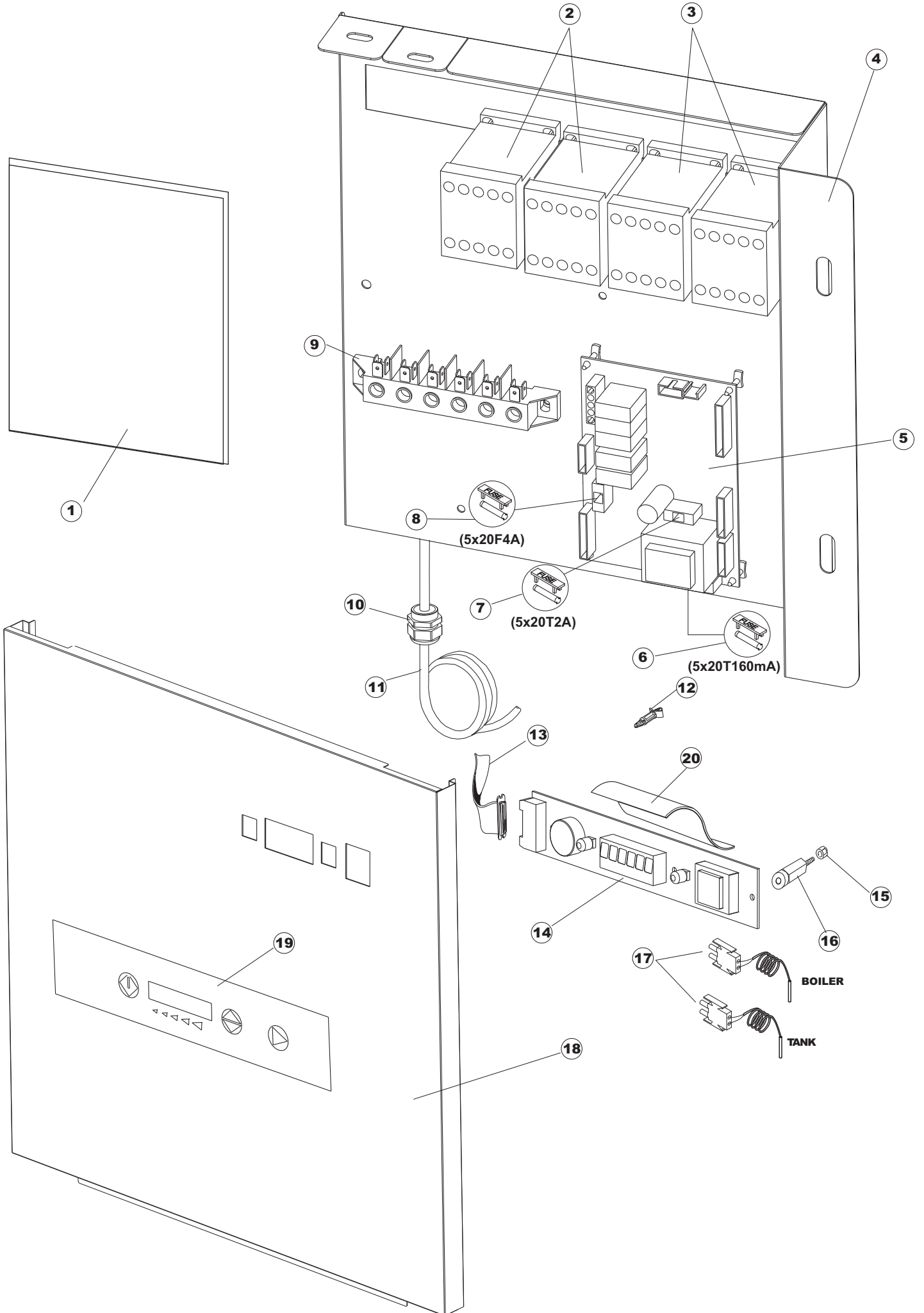
Taf.1: Verkleidung
Taf.2: Elektrische Anlage
Taf.3: Bauteile im Waschtank
Taf.4: Spuelschaltung
Taf.5: Nachspuelschaltung
Taf.6: Wascharmee
Taf.7: Spuelpumpe



Listino componenti per pagina 1

1	42118	PANNELLO SUPERIORE HAUT PANNEAU OB. PLATTE U132 TOP PANEL panel superior	
2	42810	PANNELLO LATERALE SINISTRO PANNEAU LATERAL GAUCHE LINKEN SEITENWAND LEFT SIDE PANEL PANEL LATERAL IZQUIERDO	
3	42814	PANNELLO LATERALE DESTRO PANNEAU LATERAL DROITE REICHT SEITENWAND RIGHT SIDE PANEL PANEL LATERAL DERECHO	
4	42622	PANNELLO POSTERIORE PANNEAU ARRIERE RUECKWAND BACK PANEL PANEL TRASERO	
5	80871 <i><u>Recommended spare parts</u></i>	MICRO MAGNETICO CONTACTE MAGNETIQUE TUERKONTAKTSCHALTER MAGNETIC DOOR SWITCH CONTACTO MAGNETICO	
6	44265	GUIDA PORTA GUIDE GLISSANTE PORTE SUPERIEURE TÜR-GLEITENDER BAHN - OBEN - DOOR SLIDING GUIDE - UPPER GUIA PUERTA	
7	42780	PORTA SUPERIORE PORTE SUPERIEURE OBEN TUR UPPER DOOR PUERTA SUPERIOR	
8	42570	PORTA INFERIORE PORTE INFERIEURE UNTERE TUR LOWER DOOR PUERTA INFERIOR	
9	42335	PANNELLO ANTERIORE PANNEAU AVANT FRONTPANEEL FRONT PANEL PANEL FRONTAL	
10	42042	BATTUTA SPORTELLO SUPERIORE ARRETR PORTE SUPERIEURE TÜRANSCHLAG, OBEN U70 TOP DOOR-STOP BAR TOPE PUERTA SUPERIOR	
11	4108701	STAFFA DESTRA PORTA console de support CHAUDIÈRE RECHT-HATER FUER ANKUPPELN DER OBEREN TUER-STANG DOOR BRACKET DERECHA TOPE PUERTA	
12	4108801	STAFFA SINISTRA PORTA console de support LINK-HALTER FUER ANKUPPELN OBEREN TUERSTANGE FUER support bracket ménsula de soporte	
13	42782	SUPPORTO GUARNIZIONE SPORTELLO SUPERIORE SWITCH KNOB DICHTUNGSHALTERUNG DER TUER - OBEN - FU ER KOCHTOE DOOR PAKING SUPPORT - UPPER SOPORTE JUNTA PUERTA U70	
14	42783 <i><u>Recommended spare parts</u></i>	GUARNIZIONE PORTA JOINT DICHTUNG DOOR SEAL JUNTA	
15	44593	TIRANTE PORTA TIRANT PORTE HEBEL TUER MONT DOOR LEVER TIRANTE PUERTA	

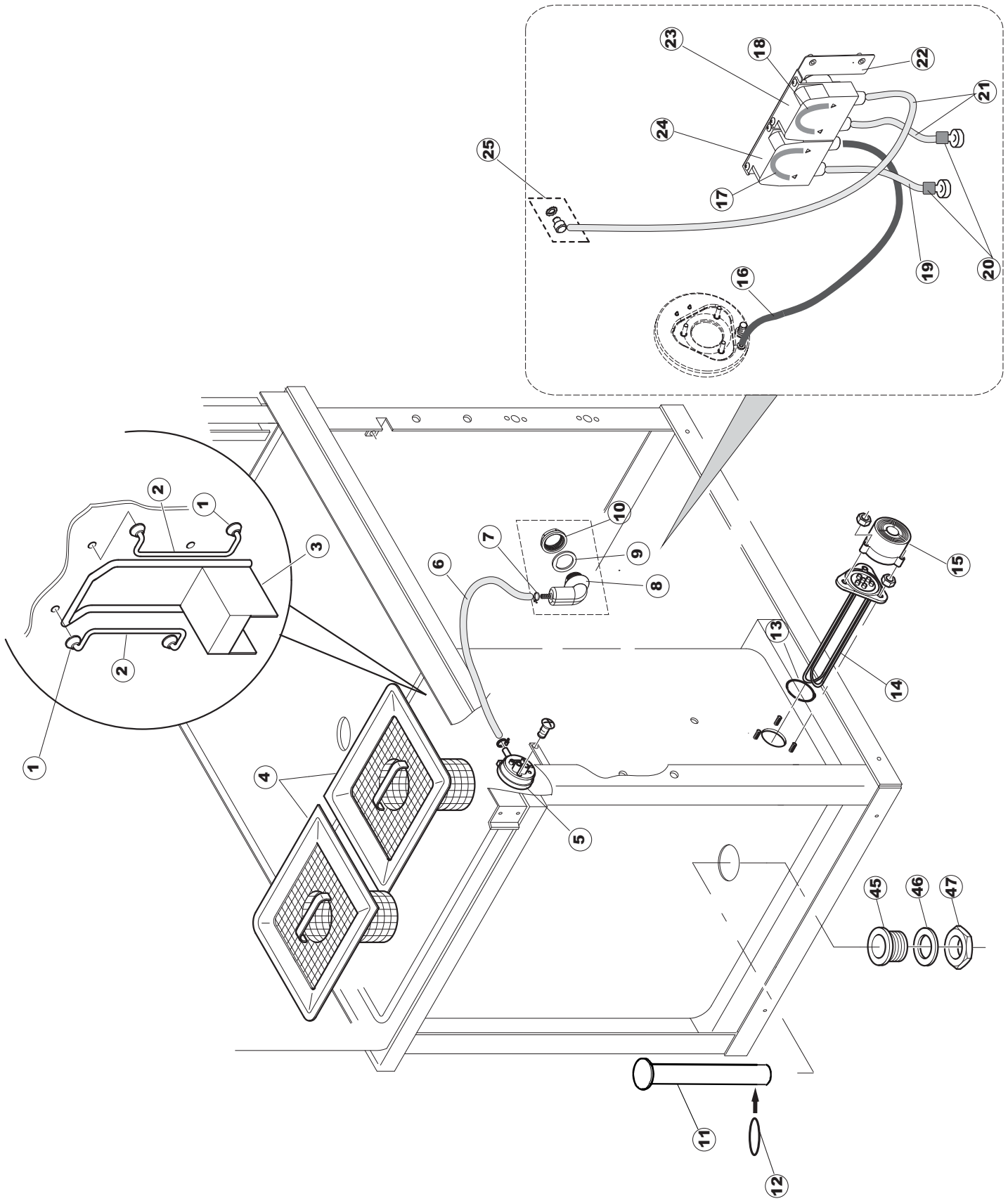
16	41095	BOCCOLA SUPERIORE TIRANTE SPORTELLO PER LAVAPENT BOUCLE SUPERIEURE TIRANT PORTE POUR LAVE -CASSEROI BUCHSE, TÜRZUGSTAB 610/610H UPPER BUSH FOR DOOR TIE FOR POT AND PAN WASHERS CASQUILLO TIRANTE PUERTA 610/610H	
17	486078 <i><u>Recommended spare parts</u></i>	VITE IN ACCIAIO INOSSIDABILE SPEC. 6MA VIS EN ACIER INOXYDABLE 6MAX30 T.1/2 TC SCHRAUBE TC-CE M6X40 INOX STAINLESS STEEL SCREW 6MAX30 T.1/2 TC TORNILLO TC-CE M6X40 INOX	
18	43527	PROTEZIONE PROTECTION SCHUTZVERKLEIDUNG GUARD SOPORTE DE PROTECCION	
19	42539	GUIDA CESTO GUIDE PANIER KORBFUEHRUNG RACK SLIDE GUIA CESTA	
20	4113501	SPESSORE PORTA EPAISSEUR LATERAL PORTE DX/SX SEITL. EINLEGERING FÜR TÜR DOOR SIDE THICKNESS - DX/SX GROSOR LAT. PUERTA	
21	4114501	PIASTRA PORTA PLAQUE PETITE POUR PIVOT PORTE PLATTE, TÜRANGEL U61.. SMALL PLATE FOR DOOR PIN PLANCHITA PERNO PUERTA U61. .	
22	42621	PANNELLO POSTERIORE PANNEAU ARRIERE RUECKWANDVERKLEIDUNG BACK PANEL PANEL TRASERO	
23	927006	PIEDE VERRIN VERSTELLFUSS FÜR KORBTR. FOOT PATA REGULABLE	
35	929199	PIEDINO TIPO 30191.1.2 (NERO) VERRIN TYPE 30191.1.2 (NOIR) STÜTZFUSS, ANSCHLAG TYP 30191.1.2 (SCHWARZ) FOOT TYPE 30191.1.2 (BLACK) PATA TOPE TIPO 30191. 1. 2(NEGRO)	
36	41100	TAMPONE BATTUTA SPORTELLO LP TAMPON COUP PORTE POUR LAVE-CASSEROLES PUFFER, TÜRANSCHLAG LP DOOR BEATING POINT BUFFER TAMPON TOPE PUERTA LP	



Listino componenti per pagina 2

1	41416	COPERCHIO COUVERCLE DE FERMETURE ABDECKUNG COVER TAPA DE LA CAJA	
2	73350 <i><u>Recommended spare parts</u></i>	CONTATTORE CONTACTEUR KONTAKT-GEBER 230-50/60HZ CONTACTOR CONTACTOR	
3	73351 <i><u>Recommended spare parts</u></i>	CONTATTORE CONTACTEUR KONTAKT-GEBER 230-50/60HZ CONTACTOR CONTACTOR	
4	41415	PANNELLO COMPONENTI ELETTRICI PANNEAU COMPOSANTS ELECTRIQUES PANEEL WIRING PANEL PANEL COMPONENTES ELECTRICOS	
5	215032-1 <i><u>Recommended spare parts</u></i>	SCHEDA ELETTRONICA CARTE ELECTRONIQUE PLATINE MAIN BOARD TARJETA electrónica	
6	228012 <i><u>Recommended spare parts</u></i>	FUSIBILE 5X20 T160MA FUSIBLE SICHERUNG FUSE FISIBLE	
7	228011 <i><u>Recommended spare parts</u></i>	FUSIBILE 5X20 T2A FUSIBLE SICHERUNG 5X20 TA2 FUSE FISIBLE	
8	228004 <i><u>Recommended spare parts</u></i>	FUSIBILE FUSIBLE SICHERUNG, 5X20 4A FAST FUSE FISIBLE	
9	220011	MORSETTIERA bornier pour le raccordement * KLEMMENBRETT, 5-POLIG + ERDUNG FV.122 TERMINAL BLOCK bloque de terminales	
10	DEP521	PASSACAVO PRESSE ÉTOUPE KABELSCHELLE PG21 (BER 4721) CABLE GLAND PASACABLES	
11	80997	CAVO ALIMENTAZIONE 5X2,5MM (H07RN-F) CÂBLE D'ALIMENTATION ANSCHLUSSKABEL 400V power cable CABLE ALIMENTACION 5X2,5MM (H07RN-F)	
12	CWP2	PIEDINI SUPPORTO SCHEDA ELETTRONICA VERRIN STÜTZFÜSSE FÜR PLATINE (ART.DRA6A) FOOT PATA	
13	80934 <i><u>Recommended spare parts</u></i>	CAVO FLAT CABLE FLAT FLACHKABEL FLAT CABLE CABLE FLAT	
14	227083 <i><u>Recommended spare parts</u></i>	TASTIERA COMANDI CARTE ELECTRONIQUE DE POUSSOIR TASTENFELD PUSH BUTTONS BOARD BOTONERA	
15	417119 <i><u>Recommended spare parts</u></i>	DADO ECROU SCHRAUBENMUTTER, M3 KUNST. WEISS NUT TUERCA	

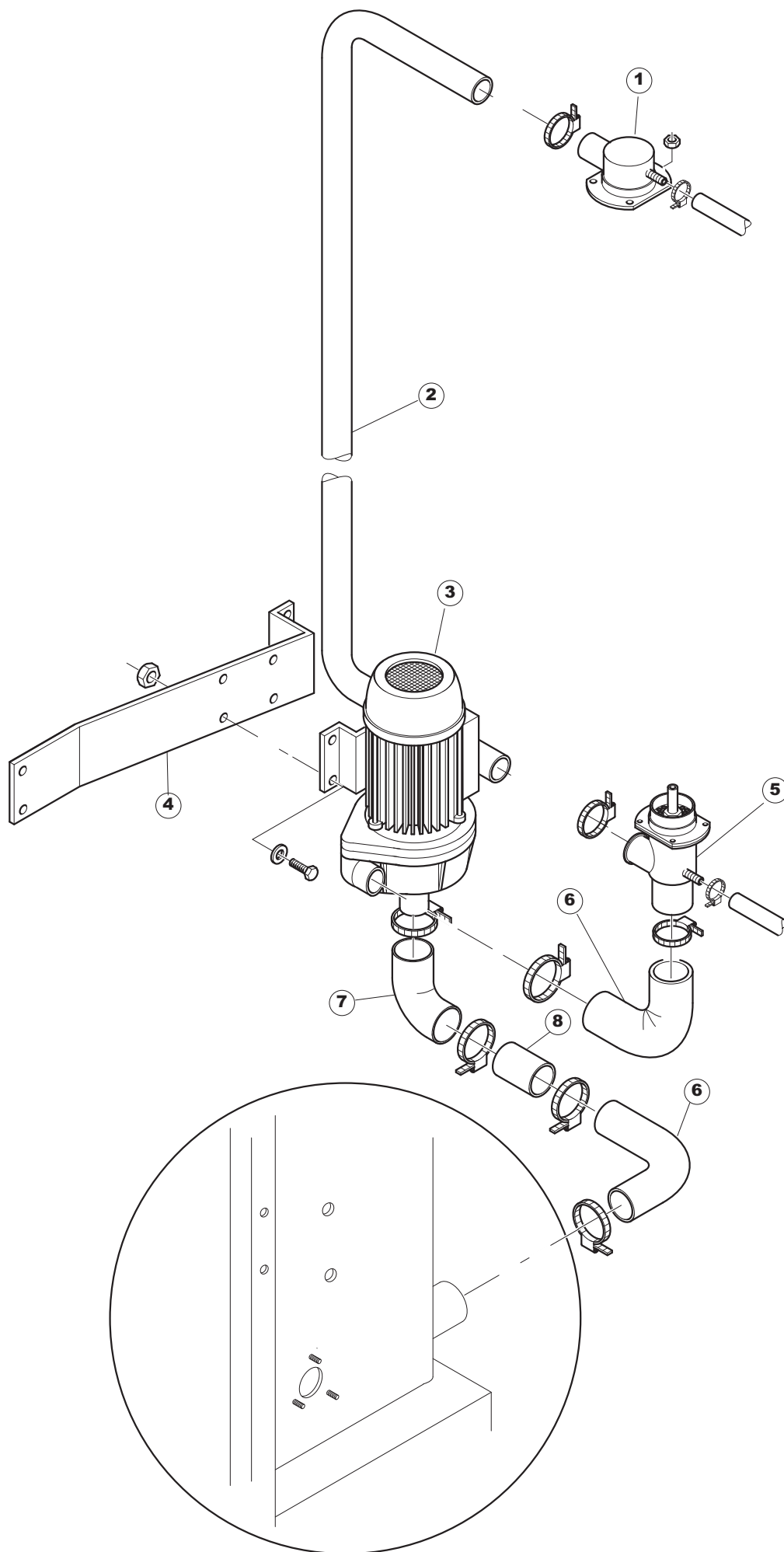
16	419036 <i><u>Recommended spare parts</u></i>	DISTANZIALI SCHEDA ENTRETOISE X CARTE ELECTRONIQUE ABSTANDSSTÜCK, M3 INTERFACE BOARD DISTANCE KEEPERS DISTANCIADOR M3	
17	231016 <i><u>Recommended spare parts</u></i>	SONDA TEMPERATURA SONDE TEMPERATURSONDE TEMPERATURE PROBE SONDA TEMPERATURA (AMPOLLA ACERO)	
18	42335	PANNELLO ANTERIORE PANNEAU AVANT FRONTPANEEL FRONT PANEL PANEL FRONTAL	
19	41518	INTERFACCIA ADESIVA DI CONTROLLO INTERFACE ADHÉSIVE CONTRÔLE TASTATURFOLIEN CONTROL ADHESIVE INTERFACE INTERFAZ ADHESIVA DE CONTROL	
20	69810	TENDINA COPERTURA TASTIERA PANN ANT. rideau VORHANG CURTAIN CORTINA COPERTURA TECLADO PAN. DELANT.	



Listino componenti per pagina 3

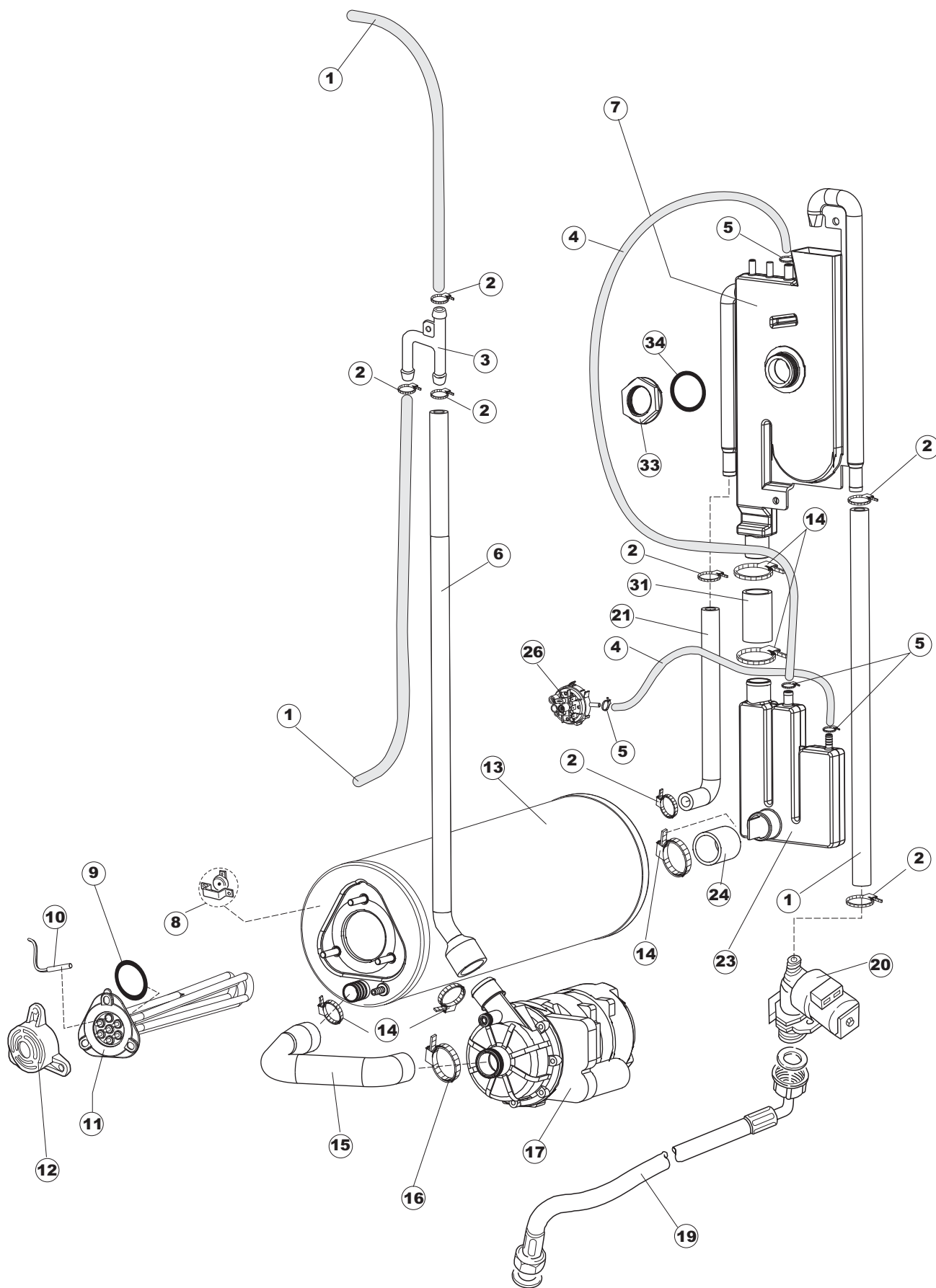
1	472061	RONDELLA X GUIDA CESTO CL.3 RONDELLE UNTERLEGSCHLEIBE, FÜR KORBFÜHRUNG KL.3 WASHER arandela	
2	42092	GUIDA FILTRO ASPIRAZIONE U70 GUIDE FILTRE ASPIRATION FÜHRUNG, ABSAUG.FILTER U70 ASPIRATION FILTER SLIDE GUIA FILTRO ASPIRACION U70	
3	75661	FILTRO ASPIRAZIONE POMPA FILTRE ASPIRATION POMPE PUMPENANSAUGSIEB PUMP ASPIRATION FILTER FILTRO ASPIRACION BOMBA	
4	K42171	KIT SEMIFILTRO 42171+FILTRO 70159 KIT FILTRE KIT FILTER STRAINER KIT KIT FILTRO	
5	926049 <i><u>Recommended spare parts</u></i>	PRESSOSTATO TIPO 180-70 PRESSOSTAT DRUCKSCHALTER 761999 180-70 PRESSURE SWITCH PRESOSTATO	
6	143253 <i><u>Recommended spare parts</u></i>	TUBO SILICONE TRASPARENTE 3X8 TUYAU SILIKONSCHLAUCH 3X8 PIPE MANGUITO	
7	CFF10073	FASCETTA FERMA CAVI Collier de serrage SCHLAUCHSCHELLE 10073 CABLE TIE ABRAZADERA	
8	70600 <i><u>Recommended spare parts</u></i>	TRAPPOLA ARIA ESTERNA cloche de pression Glocke für druckschalter AIR TRAP for pressure switch CAMPANA PRESOSTATO	
9	437098 <i><u>Recommended spare parts</u></i>	GUARNIZIONE JOINT DICHTUNG FUER LUFTFALLE GASKET JUNTA	
10	417120 <i><u>Recommended spare parts</u></i>	DADO ECROU KUNSTSTOFFMUTTER 1-1/4 NUT TUERCA	
11	42582	TROPPOPIENO TROP PLEIN UEBERLAUFROHR OVERFLOW PIPE REBOSE	
12	CGR4131NT <i><u>Recommended spare parts</u></i>	O-RING O-RING O-RING 4131 SCHWARZE SCHRAUBE SH.70 O-RING O-RING	
13	456002	guarnizione o-ring joint torique o-ring O-Ring 48x6,2 O-ring junta tórica o-ring	
14	230020C <i><u>Recommended spare parts</u></i>	KIT RESISTENZA (8KW) KIT RESISTANCES REB230020 (8KW) KIT HEIZUNG REB230020 (8KW) KIT HEATING ELEMENTS REB230020 (8KW) KIT RESISTENCIA REB230020 (8KW)	
15	69870	PROTEZIONE RESISTENZA BOILER PROTECTION RESISTANCE BOILER HEIZUNGSCHUETZ DES WARMWASSERBEREITERS BOILER HEATING ELEMENT PROTECTION PROTECCION RESISTENCIA CALENTADOR	

16	143005 <i><u>Recommended spare parts</u></i>	TUBO IN GOMMA TELATA 5X12 NERO TUYAU EN CAOUTCHOUC LIN 5X12 NOIR SCHLAUCH TP 5X11 (CASER/15/NL C4N) LINEN RUBBER PIPE 5X12 - BLACK TUBO PRES. TP 5x11 (CASER/15/NL C4N)	
17	143261 <i><u>Recommended spare parts</u></i>	TUBO SILICONE TUBE MEMBRANSCHLAUCH HOSE TUBITO	
18	143258 <i><u>Recommended spare parts</u></i>	TUBO "SANTOPRENE" CON RACCORDO TUYAU "SANTOPRENE" MEMBRANSCHLAUCH SANTOPREN "SANTOPRENE" PIPE TUBITO SANTOPRENE	
19	H.775601 <i><u>Recommended spare parts</u></i>	TUBO 4x6 CRISTAL BLUE PVC TUYAU SCHLAUCH 4x6 CRISTAL BLAU PVC PIPE MANGUITO	
20	121993	GRUPPO FILTRO+ZAVORRA DOSATORE filtre distributeur FILTERANORDNUNG filter aid dispenser filtro dispensador	
21	143194 <i><u>Recommended spare parts</u></i>	TUBO 4x6 CRISTAL TRASPARENTE TUYAU SCHLAUCH 4X6 CRISTAL, DURCHS. PIPE MANGUITO	
22	80675	STAFFA DOSATORI PERISTALTICI console de support TRAGBUEGEL support bracket SOPORTE DOSIFICADORES PERIST. PG ACABADO	
23	209043 <i><u>Recommended spare parts</u></i>	DOSAT.PERIST.DETERGENTE P/F MD DOSEUR PÉRISTALTIQUE PERISTALTISCHES DOSIERGERAET DETERGENT DOSING PUMP DOSIFICADOR DETERG.	
24	209042 <i><u>Recommended spare parts</u></i>	DOSAT.PERIST.BRILLANTANTE+NR P/F MD DOSEUR PÉRISTALTIQUE PERISTALTISCHES DOSIERGERAET DOSING PUMP DOSIFICADOR	
25	999348	GRUPPO RACCORDO INIEZIONE DETERGENTE JUNCTION CUVE POUR INJECTION DE DÉTERGEN WASCHMITTEL INJECTION SPÜLANSCHLUSS DETERGENT TANK FITTING UNIÓN CUBA PARA INYECCIÓN DE DETERGENTE	
45	75871 <i><u>Recommended spare parts</u></i>	PILETTA DI SCARICO TUYAU DE DRAINAGE ablassen DRAIN CONNECTION PILETA DESCARGA	
46	75873 <i><u>Recommended spare parts</u></i>	GUARNIZIONE JOINT DICHTUNG GASKET JUNTA	
47	75872 <i><u>Recommended spare parts</u></i>	DADO PILETTA SCARICO ECROU sortie de vidange MUTTER Abflussauslass NUT WASTE DRAIN TUERCA DESCARGA DE RESIDUOS	



Listino componenti per pagina 4

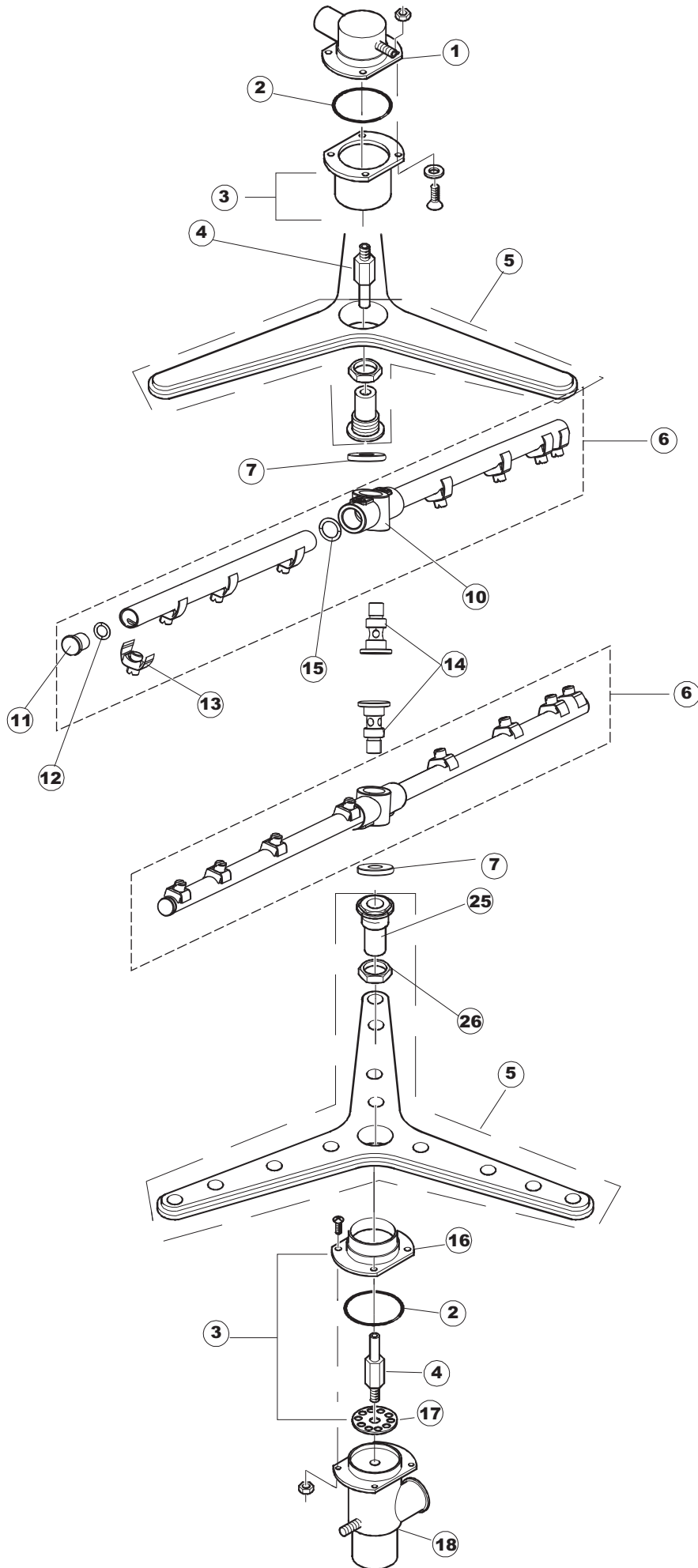
1	4205901	COLLETTORE LAVAGGIO SUPERIORE COLLECTOR SUPERIOR VERBINDUNGSST., SPÜLARM OB.EW610H HIGHER MANIFOLD COLECTOR SUPERIOR	
2	43555	TUBO LAVAGGIO TUYAU ROHR PIPE MANGUITO	
3	929174 <i><u>Recommended spare parts</u></i>	POMPA LAVAGGIO POMPE DE LAVAGE PUMPE 4HP 230/400-50 DREH.(2250/C) WASHPUMP bomba de lavado	
5	4206301	COLLETTORE LAVAGGIO INFERIORE COLLECTOR INFERIEURE VERBINDUNGSST., SPÜLARM UNTEN EW610.. lower MANIFOLD COLECTOR inferior	
6	929164	GOMITO IN GOMMA P2703 SAIAG TUYAU a coudé KNIESTÜCK, GUMMI P2703 SAIAG PIPE ELBOW tubo acodado	
7	926056	GOMITO D'ASPIRAZIONE IN GOMMA PER TUYAU a coudé KNIESTÜCK, GUMMI, ABSAUG.PUMPE 120/140 PIPE ELBOW tubo acodado	
8	42028	MANICOTTO ASPIRAZIONE tuyau d'aspiration SAUGROHR suction pipe tubo de aspiración	



Listino componenti per pagina 5

1	143010	TUBO IN GOMMA 12X19,5 (FOOD QUALITY) TUYAU EN CAOUTCHOUC 12X19,5 ROHR, DRUCKSCHALTER TP 12X19.5 RUBBER PIPE 12X19,5 TUBO PRES. TP 12X19. 5	
2	927322	FASCETTA SERRAGGIO TUBI Collier de serrage SCHLAUCHSCHELLE 12-22 HOSE CLAMP ABRAZADERA	
3	143173 <i><u>Recommended spare parts</u></i>	RACCORDO Y RACCORD DE RINCAGE VERBIND., NACHSPÜLEN KUNST.35/40/50 RINSE MANIFOLD UNION ENJUAGUE PLAST. 35/40/50	
4	H.165168	TUBO TRASPARENTE TUYAU PVC SCHLAUCH PIPE MANGUITO	
5	423026	FASCETTA FERMA CAVI Collier de serrage SCHELLE CABLE TIE ABRAZADERA	
6	41525	TUBO MANDATA RISCIAQUO TUYAU DE REFOULEMENT RINÇAGE (CRP) ZUFLUSSROHR FÜR NACHSPÜLEN (CRP) RINSE DELIVERY TUBE(CRP) TUBO IMPULSION ENJUAGUE (CRP)	
7	144021	BREAKTANK BREAK TANK AIR GAP GEOFFNETER BEHAELTER BREAK TANK BREAK TANK	
8	926189 <i><u>Recommended spare parts</u></i>	TERMOSTATO 95°C THERMOSTAT DE SURETE' A CONTACT SICHERHEITSTHERMOSTAT 95°C CONTACT SAFETY-THERMOSTAT TERMOSTATO CALENTADOR SEG. 95°C	
9	456002	guarnizione o-ring joint torique o-ring O-Ring 48x6,2 O-ring junta tórica o-ring	
10	231016 <i><u>Recommended spare parts</u></i>	SONDA TEMPERATURA SONDE TEMPERATURSONDE TEMPERATURE PROBE SONDA TEMPERATURA (AMPOLLA ACERO)	
11	230020C <i><u>Recommended spare parts</u></i>	KIT RESISTENZA (8KW) KIT RESISTANCES REB230020 (8KW) KIT HEIZUNG REB230020 (8KW) KIT HEATING ELEMENTS REB230020 (8KW) KIT RESISTENCIA REB230020 (8KW)	
12	69870	PROTEZIONE RESISTENZA BOILER PROTECTION RESISTANCE BOILER HEIZUNGSCHUETZ DES WARMWASSERBEREITERS BOILER HEATING ELEMENT PROTECTION PROTECCION RESISTENCIA CALENTADOR	
13	104061	BOILER CHAUDIÈRE BOILER CRP BOILER CALDERIN	
14	CFS18	FASCETTA SERRAGGIO TUBI Collier de serrage SCHLAUCHSCHELLE 20-32/9 HOSE CLAMP ABRAZADERA	
15	69068	TUBO MANDATA LAVAGGIO SUPERIORE CAPOT TUYAU SAUGMUFFE LA50 PIPE MANGUITO ASPIRAC.CRP LA50	

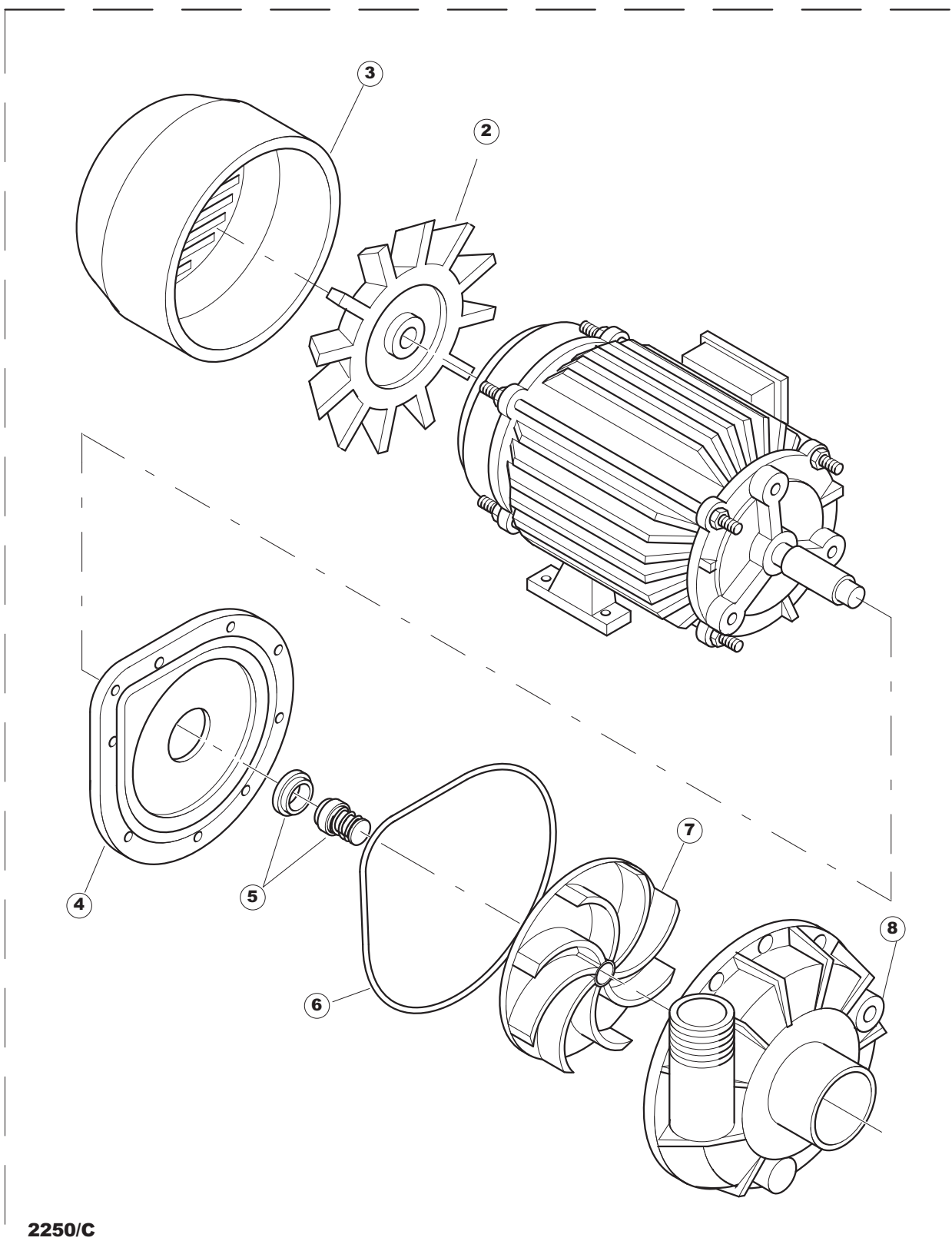
16	423008	FASCETTA SERRAGGIO TUBI doppio filo con vite 25-29 Collier de serrage SCHLAUCHSCHELLE D20X32X9 TYP TORRO ACC.W1 HOSE CLAMP ABRAZADERA	
17	80627 <i><u>Recommended spare parts</u></i>	POMPA RISCIAQUO 50 Hz pompe rinçage 50 Hz PUMPE rinse pump 50 Hz bomba de aclarado 50 Hz	
19	929169	TUBO DI CARICO TERMOPLASTICO TUYAU DE CHARGEMENT THERMOPLASTIQUE ZULAUFSCHLAUCH, WASSER THERMOPLAST THERMOPLASTIC INLET HOSE TUBO DE CARGA DEL TERMOPLASTICO	
20	240018 <i><u>Recommended spare parts</u></i>	ELETTROVALVOLA ELECTROVANNE ZUFLUSSVENTIL 1-WEG CRP SOLENOID VALVE ELECTROVALVULA	
21	143004	TUBO TUYAU ROHR, DRUCKSCHALTER TP 10X17 (CASER/15NL C4N) PIPE TUBO PRES. TP 10X17 (CASER/15NL C4N)	
23	144032 <i><u>Recommended spare parts</u></i>	SISTEMA CARICAMENTO BOILER CRP CON CAMPANA PRESSC SYSTÈME CHARGEMENT DE CHAUDIÈRE CRP AIR GAP GEOFFNETER BEHAELTER LOADING SYSTEM BOILER CRP WITH BELL PRESSURE SWITCH SISTEMA CARGA DE CALDERIN CRP	
24	127095 <i><u>Recommended spare parts</u></i>	MANICOTTO BOILER MANCHON CHAUDIÈRE MUFFE BOILER PIPE MANGUITO PURGA CALDERIN	
26	224002 <i><u>Recommended spare parts</u></i>	PRESSOSTATO 110-60 PRESSOSTAT 110/60 DRUCKSCHALTER - 110/60 PRESSURE SWITCH TYPE 110-60 PRESOSTATO - 110/60	
31	929171	TUBO IN GOMMA 20X29 TUYAU EN CAOUTCHOUC 20X29 SCHLAUCH, GUMMI 20X30 RUBBER PIPE 20X29 TUBO GOMA 20X30	
33	417125	DADO ECROU MUTTER NUT TUERCA	
34	437104	GUARNIZIONE D45D33S2 EPDM 70SH JOINT DICHTUNG GASKET JUNTA	



Listino componenti per pagina 6

1	4205901	COLLETTORE LAVAGGIO SUPERIORE COLLECTOR SUPERIOR VERBINDUNGSST., SPÜLARM OB.EW610H HIGHER MANIFOLD COLECTOR SUPERIOR	
2	926252	guarnizione o-ring joint torique o-ring O-Ring 4275 O-ring junta tórica o-ring	
3	41064CP	CONTROFLANGIA SUPPORTO LANCIA DI LAVAGGI O PER LAV/ CONTRE-BRIDE SUPPORT RAMPE DE LAVAGE POU R LAVE-CA GEGENFLANSCH, OB. FÜR SPÜLLANZE U61/61H SUPPORT COUNTER-FLANG OF WASH ARM OF POT AND PAN CONTRABRIDA SUP. LANZA LAV. U61/61H	
4	42053	PERNO LANCIA LAV.INFER.U61 PIVOT ZAPFEN, UNT.SPÜLLANZE U61 PIVOT PERNO	
5	929196	BRACCIO COMPLETO LAVAGGIO BRAS DE LAVAGE COMPLET SPÜLLANZE - DREIECK. KOMPL.U70.. COMPLETE WASH ARM BRAZO LAVADO COMPLETO	
6	42677	BRACCIO COMPLETO RISCIACQUO BRAS DE RINCAGE COMPLET KOMPLETTEN NACHSPUELUNGSARM COMPLETE RINSE ARM BRAZO ACLARADO COMPLETO	
7	K80679	GHIERA M12 CON RONDELLA IN TEFLON 80622 BAGUE FILETÉE M12 AVEC RONDELLE TEFLON GEWINDERING M12 MIT TEFLON UNTERLEGSCHIEBE RING NUT M12 WITH TEFLON WASHER ANILLO ROSCADO M12 CON ARANDELA TEFLON	
10	69632	CORPO BRACCIO CORPS BRAS KOERPER DES NACHSPUELARMES BODY ARM CUERPO BRAZO	
11	926132	TAPPO PL.X BRACCIO DI RISC.(DWT312) EMBOUT EN PLASTIQUE POUR RAMPE DE RINC. PFROPFEN, KUNST. FÜR NACHSPÜLARM (DWT312) PLASTIC RINSE ARM CAP TAPON PL. X BRAZO DE ENJUAGUE (DWT312)	
12	456030	guarnizione o-ring joint torique o-ring O-Ring 106 (CGR106) O-ring junta tórica o-ring	
13	140036 <i><u>Recommended spare parts</u></i>	SPRUZZO RISCIACQUO GLICEUR DÜSE RINSE JET ROCIADOR ENJUAGUE	
14	80644	PERNO PIVOT ZAPFEN PIVOT PERNO	
15	456019	guarnizione o-ring joint torique o-ring O-Ring 2037 O-ring junta tórica o-ring	
16	41064	CONTROFLANGIA SUPPORTO LANCIA DI LAVAGGI O PER LAV/ CONTRE-BRIDE SUPPORT RAMPE DE LAVAGE POU R LAVE-VC UNTERLAGE SUPPORT COUNTER-FLANGE OF WASH ARM OF PO T AND PAI CONTRABRIDA SUP. LANZA LAV. LP	
17	41185	PARZIALIZZATORE PERNO RISCIACQUO REDUCTEUR POUR LAVE-CASSEROLES DROSSELGERAT PL. REDUCER FOR POT AND PAN WASHER PARCIALIZADOR PL.	

18	4206301	COLLETORE LAVAGGIO INFERIORE COLLECTOR INFERIEURE VERBINDUNGSST., SPÜLARM UNTEN EW610.. lower MANIFOLD COLECTOR inferior	
25	926129	SUPPORTO BRACCIO SUPPORT/MOYEU RAMPE DE LAVAGE- HALTER/NABE FÜR SPÜLLANZE SUPPORT/HUB FOR WASH-ARM - DISHWASHERS SOPORTE/CUBO LANZA LAVADO	
26	80314	GHIERA LANCIA LAVAGGIO DOUILLE SCHRAUBENMUTTER, SPÜLLANZE GRAU RING NUT CONTERA VIROLA	



2250/C

1

Listino componenti per pagina 7

1	929174 <i>Recommended spare parts</i>	POMPA LAVAGGIO POMPE DE LAVAGE PUMPE 4HP 230/400-50 DREH.(2250/C) WASHPUMP bomba de lavado	
2	929189	VENTOLA PER ELETTROPOMPA 2250 VENTILATEUR POUR MOTOPOMPE GEBL., ELEKTROPUMPE 2250 WASHPUMP FUN ROTOR PARA ELECTROBOMBA	
3	929188	COPRIVENTOLA ELETTROPOMPA COUVRE-HELICE POUR POMPE GEBL.HAUBE, FÜR ELEKTROPUMPE 2250 ELECTROPUMP FAN COVER CUBREVENTILADOR ELECTROBOMBA	
4	929190	FLANGIA PER ELETTROPOMPA 2250 BRIDE FLANSCH, ELEKTROPUMPE 250 FLANGE BRIDA	
5	929179	TENUTA MECCANICA PER ELETTROPOMPA 2250 ETANCHEITE' POUR MOTOPOMPE 2250 DICHTUNG, MECH. FÜR PUMPE 2250 WASHPUMP SHAFT SEAL FOR ELECTROPUMP SELLO MECANICO PARA BOMBA 2250	
6	929180	GUARNIZIONE PER ELETTROPOMPA 2250 JOINT POUR MOTOPOMPE 2250 O-Ring PUMPE 2250 ELECTROPUMP PACKING 2250 OR BOMBA 2250	
7	929181	GIRANTE ELETTROPOMPA IMPULSEUR MOTOPOMPE LAUFRAD, PUMPE 2250/75-2250 ELECTROPUMP IMPELLER ROTOR PARA ELECTROBOMBA	
8	929191	CHIOCCIOLA ELETTROPOMPA couvercle de la turbine PUMPENGEHAUSE, 2290/2250 ELECTROPUMP HOUSING ESPIRAL PARA ELECTROBOMBA	

RECOMMENDED SPARE PARTS

PAG 1	POS 5	COD 80871	MICRO MAGNETICO CONTACTE MAGNETIQUE TUERKONTAKTSCHALTER MAGNETIC DOOR SWITCH CONTACTO MAGNETICO
PAG 1	POS 14	COD 42783	GUARNIZIONE PORTA JOINT DICHTUNG DOOR SEAL JUNTA
PAG 1	POS 17	COD 486078	VITE IN ACCIAIO INOSSIDABILE SPEC. 6MA VIS EN ACIER INOXYDABLE 6MAX30 T.1/2 TC SCHRAUBE TC-CE M6X40 INOX STAINLESS STEEL SCREW 6MAX30 T.1/2 TC TORNILLO TC-CE M6X40 INOX
PAG 2	POS 2	COD 73350	CONTATTORE CONTACTEUR KONTAKT-GEBER 230-50/60HZ CONTACTOR CONTACTOR
PAG 2	POS 3	COD 73351	CONTATTORE CONTACTEUR KONTAKT-GEBER 230-50/60HZ CONTACTOR CONTACTOR
PAG 2	POS 5	COD 215032-1	SCHEDA ELETTRONICA CARTE ELECTRONIQUE PLATINE MAIN BOARD TARJETA electrónica
PAG 2	POS 6	COD 228012	FUSIBILE 5X20 T160MA FUSIBLE SICHERUNG FUZE FISIBLE
PAG 2	POS 7	COD 228011	FUSIBILE 5X20 T2A FUSIBLE SICHERUNG 5X20 TA2 FUZE FISIBLE
PAG 2	POS 8	COD 228004	FUSIBILE FUSIBLE SICHERUNG, 5X20 4A FAST FUZE FISIBLE
PAG 2	POS 13	COD 80934	CAVO FLAT CABLE FLAT FLACHKABEL FLAT CABLE CABLE FLAT
PAG 2	POS 14	COD 227083	TASTIERA COMANDI CARTE ELECTRONIQUE DE POUSSOIR TASTENFELD PUSH BUTTONS BOARD BOTONERA
PAG 2	POS 15	COD 417119	DADO ECROU SCHRAUBENMUTTER, M3 KUNST. WEISS NUT TUERCA
PAG 2	POS 16	COD 419036	DISTANZIALI SCHEDA ENTRETOISE X CARTE ELECTRONIQUE ABSTANDSSTÜCK, M3 INTERFACE BOARD DISTANCE KEEPERS DISTANCIADOR M3
PAG 2	POS 17	COD 231016	SONDA TEMPERATURA SONDE TEMPERATURSONDE TEMPERATURE PROBE SONDA TEMPERATURA (AMPOLLA ACERO)
PAG 3	POS 5	COD 926049	PRESSOSTATO TIPO 180-70 PRESSOSTAT DRUCKSCHALTER 761999 180-70 PRESSURE SWITCH PRESOSTATO
PAG 3	POS 6	COD 143253	TUBO SILICONE TRASPARENTE 3X8 TUYAU SILIKONSCHLAUCH 3X8 PIPE MANGUITO

RECOMMENDED SPARE PARTS

PAG 3	POS 8	COD 70600	TRAPPOLA ARIA ESTERNA cloche de pression Glocke für druckschalter AIR TRAP for pressure switch CAMPANA PRESOSTATO
PAG 3	POS 9	COD 437098	GUARNIZIONE JOINT DICHTUNG FUER LUFTFALLE GASKET JUNTA
PAG 3	POS 10	COD 417120	DADO ECROU KUNSTSTOFFMUTTER 1-1/4 NUT TUERCA
PAG 3	POS 12	COD CGR4131NT	O-RING O-RING O-RING 4131 SCHWARZE SCHRAUBE SH.70 O-RING O-RING
PAG 3	POS 14	COD 230020C	KIT RESISTENZA (8KW) KIT RESISTANCES REB230020 (8KW) KIT HEIZUNG REB230020 (8KW) KIT HEATING ELEMENTS REB230020 (8KW) KIT RESISTENCIA REB230020 (8KW)
PAG 3	POS 16	COD 143005	TUBO IN GOMMA TELATA 5X12 NERO TUYAU EN CAOUTCHOUC LIN 5X12 NOIR SCHLAUCH TP 5X11 (CASER/15/NL C4N) LINEN RUBBER PIPE 5X12 - BLACK TUBO PRES. TP 5x11 (CASER/15/NL C4N)
PAG 3	POS 17	COD 143261	TUBO SILICONE TUBE MEMBRANSCHLAUCH HOSE TUBITO
PAG 3	POS 18	COD 143258	TUBO "SANTOPRENE" CON RACCORDO TUYAU "SANTOPRENE" MEMBRANSCHLAUCH SANTOPREN "SANTOPRENE" PIPE TUBITO SANTOPRENE
PAG 3	POS 19	COD H.775601	TUBO 4x6 CRISTAL BLUE PVC TUYAU SCHLAUCH 4x6 CRISTAL BLAU PVC PIPE MANGUITO
PAG 3	POS 21	COD 143194	TUBO 4x6 CRISTAL TRASPARENTE TUYAU SCHLAUCH 4X6 CRISTAL, DURCHS. PIPE MANGUITO
PAG 3	POS 23	COD 209043	DOSAT.PERIST.DETERGENTE P/F MD DOSEUR PÉRISTALTIQUE PERISTALTISCHES DOSIERGERAET DETERGENT DOSING PUMP DOSIFICADOR DETERG.
PAG 3	POS 24	COD 209042	DOSAT.PERIST.BRILLANTANTE+NR P/F MD DOSEUR PÉRISTALTIQUE PERISTALTISCHES DOSIERGERAET DOSING PUMP DOSIFICADOR
PAG 3	POS 45	COD 75871	PILETTA DI SCARICO TUYAU DE DRAINAGE ablassen DRAIN CONNECTION PILETA DESCARGA
PAG 3	POS 46	COD 75873	GUARNIZIONE JOINT DICHTUNG GASKET JUNTA
PAG 3	POS 47	COD 75872	DADO PILETTA SCARICO ECROU sortie de vidange MUTTER Abflussauslass NUT WASTE DRAIN TUERCA DESCARGA DE RESIDUOS
PAG 4	POS 3	COD 929174	POMPA LAVAGGIO POMPE DE LAVAGE PUMPE 4HP 230/400-50 DREH.(2250/C) WASHPUMP bomba de lavado

RECOMMENDED SPARE PARTS

PAG 5	POS 3	COD 143173	RACCORDO Y RACCORD DE RINCAGE VERBIND., NACHSPÜLEN KUNST.35/40/50 RINSE MANIFOLD UNION ENJUAGUE PLAST. 35/40/50
PAG 5	POS 8	COD 926189	TERMOSTATO 95°C THERMOSTAT DE SURETE' A CONTACT SICHERHEITSTHERMOSTAT 95°C CONTACT SAFETY-THERMOSTAT TERMOSTATO CALENTADOR SEG. 95°C
PAG 5	POS 10	COD 231016	SONDA TEMPERATURA SONDE TEMPERATURSONDE TEMPERATURE PROBE SONDA TEMPERATURA (AMPOLLA ACERO)
PAG 5	POS 11	COD 230020C	KIT RESISTENZA (8KW) KIT RESISTANCES REB230020 (8KW) KIT HEIZUNG REB230020 (8KW) KIT HEATING ELEMENTS REB230020 (8KW) KIT RESISTENCIA REB230020 (8KW)
PAG 5	POS 17	COD 80627	POMPA RISCIAQUO 50 Hz pompe rinçage 50 Hz PUMPE rinse pump 50 Hz bomba de aclarado 50 Hz
PAG 5	POS 20	COD 240018	ELETTROVALVOLA ELECTROVANNE ZUFLUSSVENTIL 1-WEG CRP SOLENOID VALVE ELECTROVALVULA
PAG 5	POS 23	COD 144032	SISTEMA CARICAMENTO BOILER CRP CON CAMPANA PRESSC SYSTÈME CHARGEMENT DE CHAUDIÈRE CRP AIR GAP GEOFFNETER BEHAELTER LOADING SYSTEM BOILER CRP WITH BELL PRESSURE SWITCH SISTEMA CARGA DE CALDERIN CRP
PAG 5	POS 24	COD 127095	MANICOTTO BOILER MANCHON CHAUDIÈRE MUFFE BOILER PIPE MANGUITO PURGA CALDERIN
PAG 5	POS 26	COD 224002	PRESSOSTATO 110-60 PRESSOSTAT 110/60 DRUCKSCHALTER - 110/60 PRESSURE SWITCH TYPE 110-60 PRESOSTATO - 110/60
PAG 6	POS 13	COD 140036	SPRUZZO RISCIAQUO GLICEUR DÛSE RINSE JET ROCIADOR ENJUAGUE
PAG 7	POS 1	COD 929174	POMPA LAVAGGIO POMPE DE LAVAGE PUMPE 4HP 230/400-50 DREH.(2250/C) WASHPUMP bomba de lavado